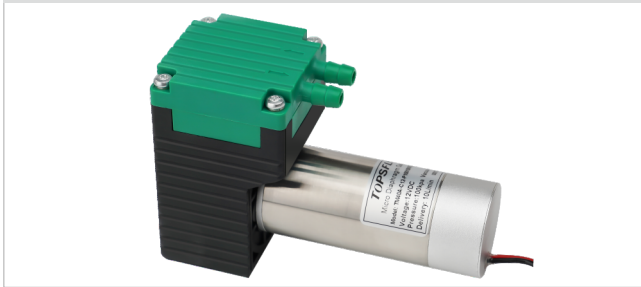


TM40A-C

Micro Diaphragm Pump

TM40A-C



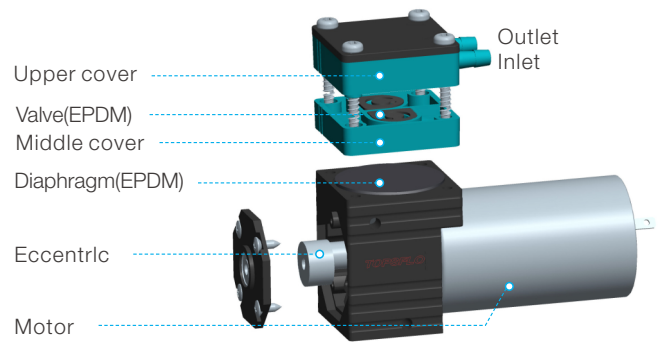
Typical Applications

- Industrial pressure and vacuum applications
- Medical technology
- Inkjet printing
- Laboratory technology
- Analytical engineering
- Cleaning industry

Features

- Highest performance/size ratio
- Low noise and vibration
- Lasts reliably longer
- Compact and robust design
- Uncontaminated transfer
- High level of gas tightness
- Extreme chemical resistance
- Customizing available
- Can operate in any installed position

Structure



Specification

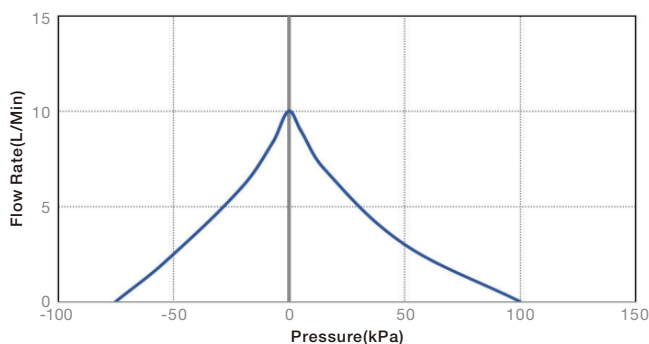
Model	Pressure Pump (Item Number)	Vacuum Pump (Item Number)	Rated Voltage (VDC)	No-load Current (A)	Max Pressure (Kpa)	Max Vacuum (Kpa)	Max Flow (L/min)	Motor Type	Lifetime (Hours)
TM40A-C	TM40A-C12-P10010	TM40A-C12-V7510	12	0.8	100	-75	10	Brushless Motor	15,000
	TM40A-C24-P10010	TM40A-C24-V7510	24	0.6	100	-75	10	Brushless Motor	15,000

Application Conditions:

• Medium temperature: 5°C~60°C

• Ambient temperature: -20°C~60°C

Curve



Dimension (mm)

