

TF30A-C



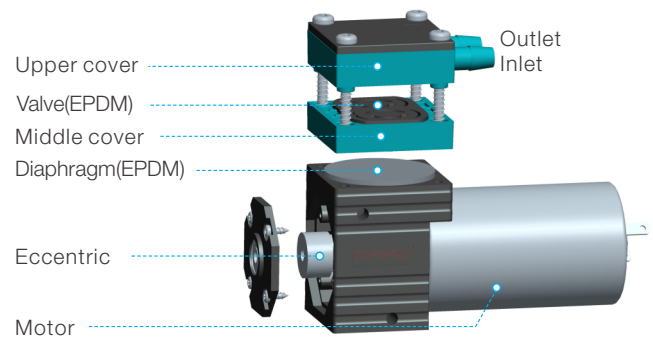
Typical Applications

- Inkjet printer
- Fireplace
- Water purifier
- Analytical instruments
- Semi-conductors
- Medical equipment
- Lab equipment
- Food & beverage industry
- Cleaning industry

Features

- Self priming function is available
- Dry running is acceptable
- Food grade type can be customized
- Excellent reliability
- Maintenance free
- Coreless brushless DC motor
- Inside controller type
- The motor runs low vibration and quieter than brush motor
- Spark free
- Durable ideal lifetime 15,000 hours.

Structure



Specification

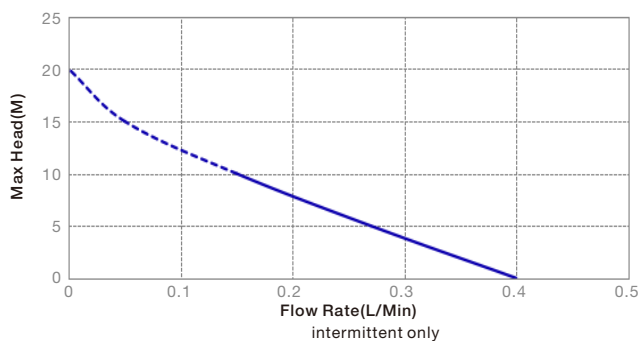
Model	Pressure Pump (Item Number)	Rated Voltage (VDC)	No Load Current (A)	OD [/ RD & XU] (A)	OD [+ HD] (M)	Max Flow (L/min)	Motor Type	Lifetime (Hours)
TF30A-C	TF30A-C12-W1004	12	0.6	0.8	10	0.4	BLDC	15,000
	TF30A-C24-W1004	24	0.3	0.3	10	0.4	BLDC	15,000

Application Conditions:

- Medium temperature: 5°C~60°C
- Ambient temperature: -20°C~60°C
- Humidity: 60%RH

- Customization:**
- 5V (blue) speed control
 - FG (yellow) signal wire

Curve



Dimension (mm)

